

TECHNICAL SPECIFICATIONS

Aluminum material	Powder-coated aluminum AL. 3005 H44
Aluminum thickness	12/10 mm
Stainless steel material	Polished AISI 316 stainless steel
Stainless steel thickness	8/10 mm
Standard total height	500 mm
Usable height	405 mm
Slats	6 horizontal slats
Lower base height	95 mm
Ventilation principle	Venturi — natural interior depression
Manufacturing	Made to the exact size of the chimney's masonry housing
Options	Removable face · Mechanical version (Series E)
Special heights	Available on request
Standard colors	RAL 9005 · RAL 7016 · RAL 9006 · RAL 7022 · RAL 9003
Stainless finish	Polished AISI 316
Certification	ISO 9001:2015

Ventilation cap made to the exact size of the chimney's masonry housing, in powder-coated aluminum or AISI 316 stainless steel. The slats are engineered on the Venturi principle to generate an interior depression that ensures natural ventilation and prevents backdraft. No sharp corner edges. Available with a removable face for easy maintenance. Special heights and shapes can be manufactured on request.

COLORS AND FINISHES



Black
RAL 9005



Anthracite
RAL 7016



Natural
RAL 9006



Dark Gray
RAL 7022



White
RAL 9003

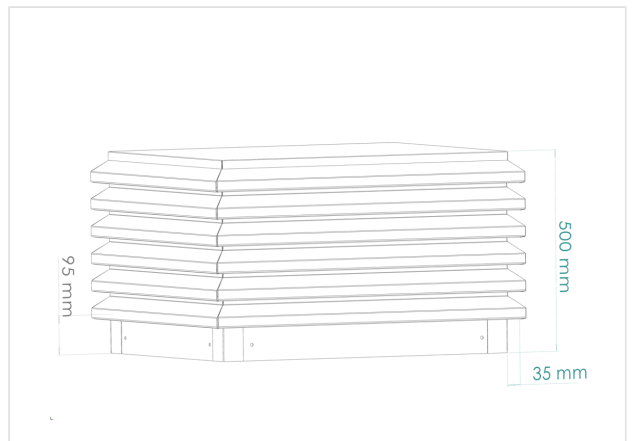


Stainless
AISI 316

PRODUCT



FRONT ELEVATION



Total height: 500 mm (6 slats + base)

Usable height: 405 mm

Lower base height: 95 mm

Outer size: Made to the exact size of the chimney's masonry housing

MECHANICAL EXTRACTOR VERSION — SERIES E

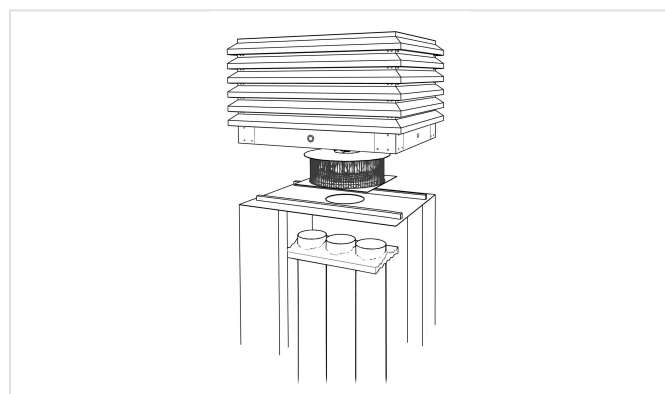
For ventilating damp areas, bathrooms and kitchens. The VENTUM Series E houses one or several motors inside, depending on the airflow to be extracted. The motor's power rating is independent of the masonry housing's outer dimensions. Under Spain's CTE building code, dwellings must have a forced interior air renewal system. The installation must include an electronic voltage regulator to adjust motor power in each case and ensure the appropriate airflow is extracted.

MOTOR TECHNICAL SPECIFICATIONS

HRB / 4-200		CRHB / 4-250		CRHB / 6-315		CRHB / 6-355	
Voltage (V-Hz)	230-50/60	Voltage (V-Hz)	230-50/60	Voltage (V-Hz)	230-50	Voltage (V-Hz)	230-50
Speed (RPM)	1.475	Speed (RPM)	1.475	Speed (RPM)	980	Speed (RPM)	955
Max. power (W)	35	Max. power (W)	52	Max. power (W)	69	Max. power (W)	87
Max. current (A)	0,19	Max. current (A)	0,26	Max. current (A)	0,40	Max. current (A)	0,44
Sound pressure (dB)	53	Sound pressure (dB)	58	Sound pressure (dB)	48	Sound pressure (dB)	58

MINIMUM MASONRY HOUSING SIZE

HRB / 4-200	300 × 300 mm
CRHB / 4-250	445 × 445 mm
CRHB / 6-315	540 × 540 mm
CRHB / 6-355	610 × 610 mm



AIRFLOW TO MOTOR RATIO

Airflow m³/h	Airflow l/s	no. of pipes Ø 100	Duct vel. 4 m/s
70	19,39	1	
140	38,78	2	
210	58,17	3	HRB/ 4-200
280	77,56	4	
350	96,95	5	
420	116,34	6	
490	135,73	7	
560	155,12	8	CRHB/ 4-250
630	174,51	9	
700	193,90	10	
770	213,29	11	
840	232,68	12	
910	252,07	13	
980	271,46	14	CRHB/ 6-315
1050	290,85	15	
1120	310,24	16	
1190	329,63	17	
1260	349,02	18	
1330	368,41	19	
1400	387,80	20	
1470	407,19	21	
1540	426,58	22	
1610	445,97	23	
1680	465,36	24	CRHB/ 6-355